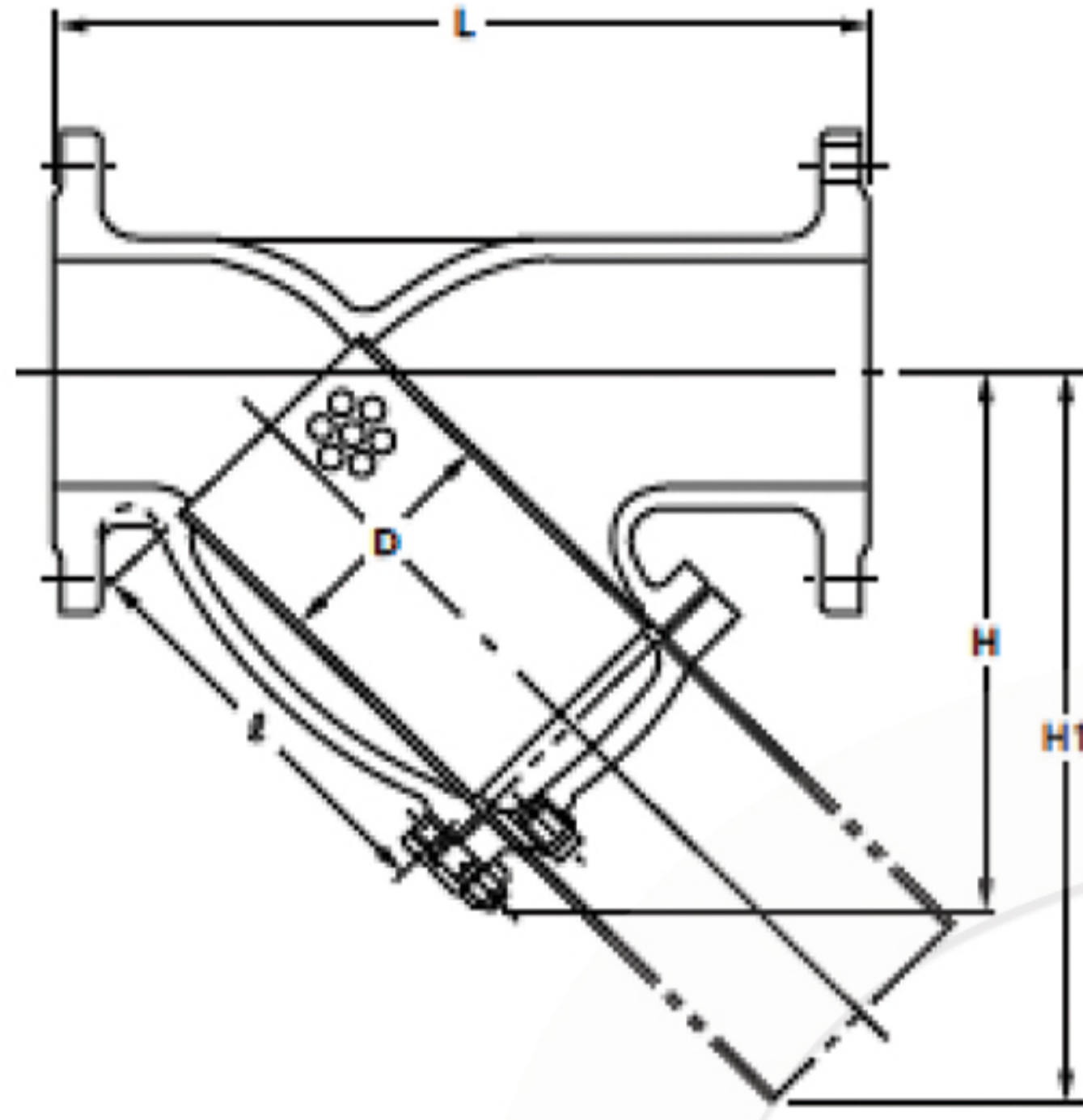


10K**Y-PATTERN STRAINER**

Pressure-Temperature Rating: JIS B2220

150UYAM**Materials**

Parts	150UYAM
Body	SCS14A
Cover	SCS14A
Gasket	Refer to Page 10
Screen	SUS316

Note: • Screen is a 40-mesh stainless wire net reinforced with a punched stainless steel plate.
• Size 250 and larger for Fig. 10UYA(M)

Items	
End flange dimensions	JIS B2220 10K - ASME B16.5
Wall thickness	KITZ Std.

Nominal Size		2½	3	4	5	6	8	10	12
		65	80	100	125	150	200	250	300
L	in.	10.6	11.4	13.8	15.4	17.3	21.3	29.9	34.3
	mm	270	290	350	390	440	540	760	870
H	in.	6.30	7.76	9.17	10.5	12.6	15.0	21.2	25.0
	mm	160	197	233	267	320	380	538	635
H1	in.	8.46	10.4	12.6	15.1	17.8	21.9	28.5	34.3
	mm	215	263	320	383	452	555	725	870
D	in.	2.83	3.39	4.33	5.39	6.38	8.35	10.6	12.6
	mm	72	86	110	137	162	212	270	320
ℓ	in.	4.72	5.91	7.09	8.46	10.0	12.2	15.8	18.9
	mm	120	150	180	215	255	310	400	480